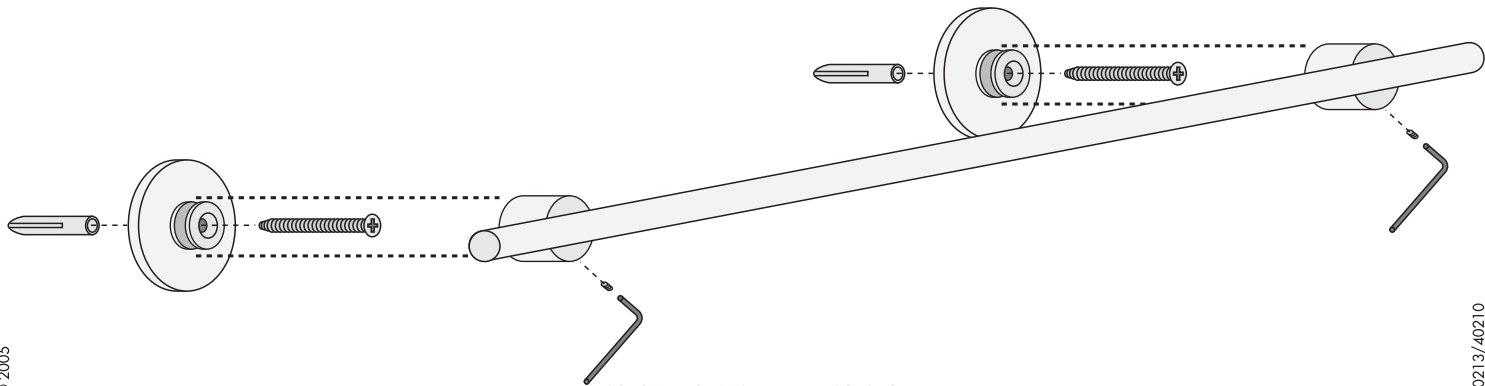


# MARINO

ZACK  
follow your style



© 2005

ZACK GMBH . GERMANY . WWW.ZACK.INFO

40213/40210