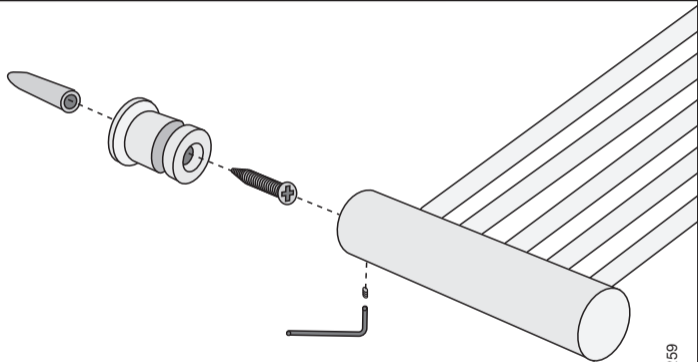


CIVIO

ZACK®
follow your style



© 2007

ZACK GMBH . GERMANY . WWW.ZACK.INFO

40258/40259