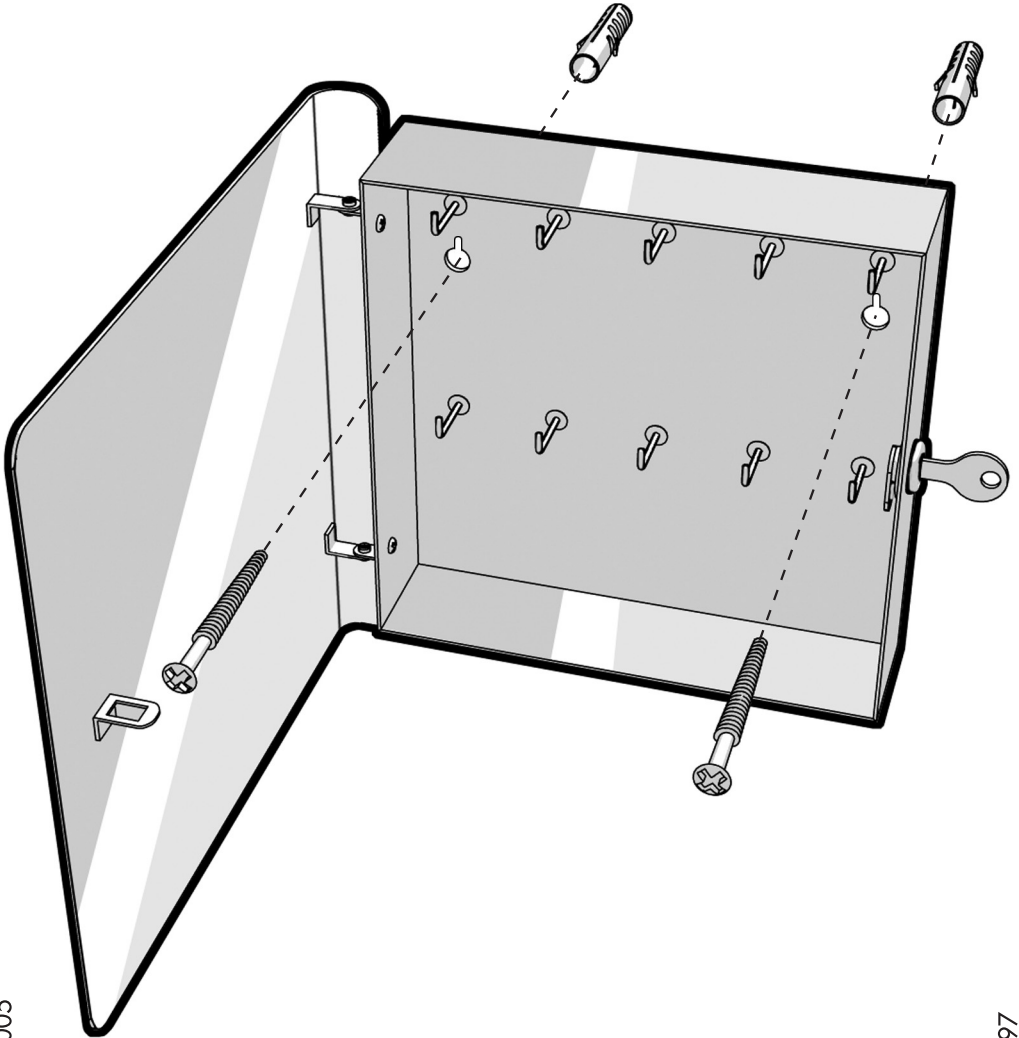


CETRO

ZACK®
follow your style



© 2005

ZACK GMBH . GERMANY . WWW.ZACK.INFO

50597